



Active Safety

AI powered
active arcing protection



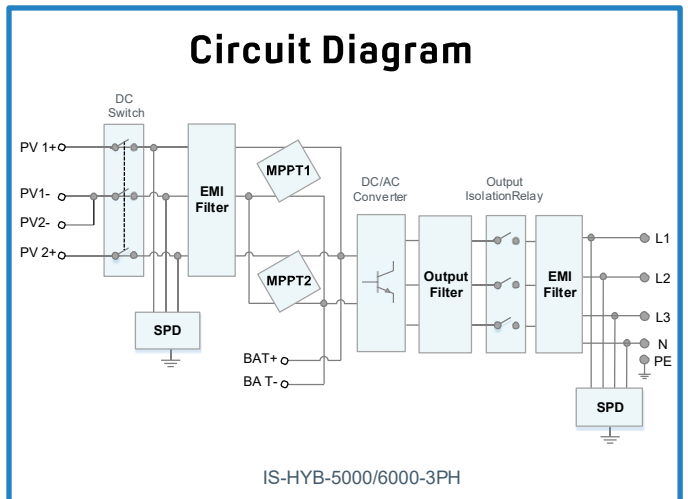
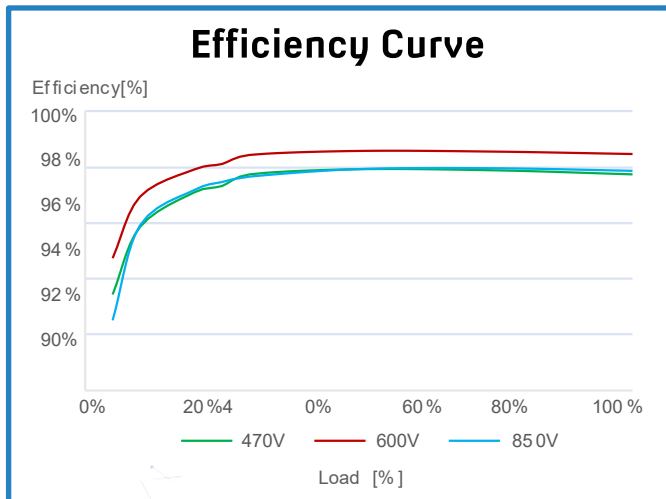
Higher Yields

More energy with
full optimiser



Flexible Communication

WLAN, fast ethernet, 4G
communication support



**EXTENDED
WARRANTY**



10 year warranty
(parts & labour)



**FREE 2 year
warranty extension**
(parts only)

Technical Specifications

Model	IS-HYB -5000-3PH	IS-HYB -6000-3PH
Efficiency		
Max. efficiency	98.4 %	98.4 %
European weighted efficiency	97.5 %	97.7 %
Input (PV)		
Recommended max. PV power ²	12,500 Wp	15,000Wp
Max. input voltage	1,100 V	
Start-up voltage	200 V	
MPPT operating voltage range	140 V - 980 V	
Rated input voltage	600 V	
Max. input current per MPPT	13.5 A	
Max. short-circuit current	19.5 A	
Number of MPP trackers	2	
Max. number of inputs	2	
Input (DC Battery)		
Compatible Battery	iStore ESS Battery 5 kWh - 30 kWh	
Operating voltage range	600 ~ 980 Vdc	
Max. operating current	16.7 A	
Max. charge power	10,000 W	
Max. discharge power	5,000 W	6,000 W
Max. number of connected batteries	2	
Output		
Grid connection	Three phase	
Rated output power	5,000 W	6,000 W
Rated AC Apparent power	5,000 VA	6,000 VA
Max. apparent power	5,500 VA	6,600 VA
Rated output voltage	230 V ac/ 400V ac, 3 W / N + P E	
Rated AC grid frequency	50 Hz / 60 Hz	
Max. output current	8.5 A	10.1 A
Adjustable power factor	0.8 leading ... 0.8 lagging	
Max. total harmonic distortion	≤ 3 %	
Backup power output	Yes (via Backup Box-5000 3)	
Protection & Feature		
Anti-Islanding protection	Yes	
DC reverse polarity protection	Yes	
Insulation monitoring	Yes	
DC surge protection	Yes, compatible with TYPE II protection class according to EN/IEC 61643 -11	
AC surge protection	Yes, compatible with TYPE II protection class according to EN/IEC 61643 -11	
Residual current monitoring	Yes	
AC overcurrent protection	Yes	
AC short-circuit protection	Yes	
AC overvoltage protection	Yes	
Ripple receiver control	Yes	
Arc fault protection	Yes	
Battery reverse charging from grid	Yes	
Integrated PID recovery	Yes	
Input-side disconnection device	Yes	
General Data		
Operating temperature range	-25 ~ +60 °C (Derating above 45 °C @ Rated output power)	
Relative operating humidity	0 %RH ~ 100 %RH	
Operating altitude	0 ~ 4,000 m (Derating above 2,000 m)	
Cooling	Natural convection	
Display	LED indicators; integrated WLAN + iStorehome APP	
Communication	RS485, WLAN/ Ethernet via IS-Dongle-WLAN	
Weight	17.5 kg	
Dimension (incl. mounting bracket)	525 mm x 470 mm x 166 mm	
Degree of protection	IP65	
Country of manufacture	China	
Optimizer Compatibility		
Compatible optimizer	SUN2000 - 600W - P ⁴	
Standard Compliance (more available upon request)		
Safety	IEC 62109-1, IEC 62109 -2	
Grid connection standards	AS/NZS 4777.22020	

*1 The max. input voltage is the upper limit of the DC voltage. Any higher input DC voltage would probably damage inverter. Please limit input voltage to maximum 600V dc according to AS 4777.12016

*2 If the string design is under the inverter's max voltage and current input limits, and a compatible DC-coupled battery is connected. Please refer to oversizing guidelines document.

*3 Please consult the suppliers for the backup solution.

*4 IS-HYB-5000/6000-3PH raises potential between PV and ground to above zero through integrated PID recovery function to recover module degradation from PID.

*5 Please consult the suppliers for the specifications of the optimizer pairing.