

# KeContact P30

OCPP



## Specifications

Output:	4.6 kW / 7.4 kW / 11 kW / 22 kW
Energy meter (LED display):	Optional
OCPP backend:	Optional
Local load management:	Master / slave
Current monitoring:	Depending on the charging cable sizing
UDP:	Optional
External meter (integration through Modbus):	Optional
Color variants:	<ul style="list-style-type: none"><li>• RAL 7004 (signal gray) / RAL 7016 (anthracite gray)</li><li>• RAL 9010 (pure white) / RAL 7016 (anthracite gray)</li></ul>

## General

Charge mode:	Mode 3 in accordance with IEC 61851-1 AC charging
Overvoltage category:	III in accordance with EN 60664
Protection class:	I
Protection class:	IP54
Protection against mechanical impact:	IK08 (except for cylinder lock)
Rated short-time withstand current:	< 10 kA (effective value in accordance with EN 61439-1)
Residual direct current detecting device (RDC-DD):	> 6 mA (characteristic in accordance with IEC 62955, < 10 s)
Ventilation during charging:	Not supported

## Power supply

### Power consumption e-series

Rated supply voltage (Europe):	230 V
Internal consumption:	Idling: 2 W, plugged in: 3 W, charging: 5.5 W
Rated current (configurable):	10 A / 13 A / 16 A / 20 A / 25 A / 32 A 1-phase
Line frequency:	50 Hz
Mains forms:	TT / TN / IT

### Power consumption b-series / c-series

Rated supply voltage (Europe):	3 x 230 V / 400 V
Internal consumption:	Idling: 3 W, plugged in: 4.5 W, charging: 6.5 W
Rated current (configurable):	10 A / 13 A / 16 A / 20 A / 25 A / 32 A 1-phase or 3-phase
Line frequency:	50 Hz
Mains forms:	TT / TN / IT

# KeContact P30



## Power consumption x-series

Rated supply voltage (Europe):	3 x 230 V / 400 V
Internal consumption:	Idling: 4 W, plugged in: 5 W, charging: 7 W
Rated current (configurable):	10 A / 13 A / 16 A / 20 A / 25 A / 32 A 1-phase or 3-phase
Line frequency:	50 Hz
Mains forms:	TT / TN / IT

## Supply terminals

Type:	Spring-type terminal
Cable feed:	Top (surface), back side (flush)
Connection cross-section of the supply:	Minimum cross-section (depending on the cable and the type of installation)
• 16 A rated current:	5 x 2.5 mm <sup>2</sup>
• 32 A nominal current:	5 x 6.0 mm <sup>2</sup>
Cross section:	
• Rigid / flexible:	0.2 – 16 mm <sup>2</sup>
• Flexible with wire end sleeve with / without plastic sleeve:	0.25 – 10 mm <sup>2</sup>
AWG:	24 – 6
Stripping length:	12 mm
Temperature rating:	105 °C

## Cable / Socket

Cable versions: (For rating, see rating plate on the cable)	<ul style="list-style-type: none"><li>• Type 1 cable: up to 32 A / 230 V AC in accordance with EN 62196-1 and SAE-J1772</li><li>• Type 2 cable: up to 32 A / 400 V AC in accordance with EN 62196-1 and VDE-AR-E 2623-2-2</li></ul>
Socket variants:	<ul style="list-style-type: none"><li>• Type 2 standard socket: 32 A / 400 V AC in accordance with EN 62196-1 and VDE-AR-E 2623-2-2</li><li>• Type 2 standard socket: 32 A / 400 V AC in accordance with EN 62196-1 and VDE-AR-E 2623-2-2 with Shutter</li></ul>

## Ambient conditions

Use:	Inside and outside area
Access limitations at set-up location:	Limited and unlimited access
Installation (stationary):	On the wall or on a floor-mounted column.
Operating temperature:	
• 16 A:	-25 °C to +50 °C (without direct sunlight)
• 32 A:	-25 °C to +40 °C (without direct sunlight)
Storage temperature:	-25 °C to +80 °C
Relative air humidity:	5 % to 95 % (non condensing)
Altitude:	max. 2000 m above sea level
Rate of temperature change:	max. 0.5 °C / min
Temperature behavior:	Automatic power reduction if overheating occurs

# KeContact P30

## Interfaces



### Ethernet interface

Ethernet1:	LSA+® terminals
Data transfer rate:	10/100/1,000 Mbit/s
Ethernet2:	RJ45 (for debug)



### USB interface

Type:	A, USB 2.0 (Hi-Speed)
Max. output power:	500 mA

### Enable input

Type:	External, potential-free switch contact
Type of terminal:	Spring-type terminal
Cross section:	0.08 – 4 mm <sup>2</sup>
AWG:	28 – 12
Stripping length:	8 mm

### Switch contact output

Type:	External safety extra-low voltage, <50 V AC, 50/60 Hz
Necessary current limitation:	<0.5 A
Type of terminal:	Spring-type terminal
Cross section:	0.08 – 4 mm <sup>2</sup>
AWG:	28 – 12
Stripping length:	8 mm

## Options



### 4G/LTE mobile network communication

Supported bands:	4G with fallback to 3G/2G <ul style="list-style-type: none"><li>LTE (4G) Bands: 1, 3, 8, 20, 28</li><li>UMTS/HSPA+ (3G) Bands: 1, 8</li><li>GSM/GPRS/Edge (2G) Dual-band</li></ul>
Max. data rate:	LTE CAT 1 Download: 10.2 Mbps* Upload: 5.2 Mbps*  *Depends on external influences
SIM card:	SIM card with 4G authentication Size: Mini-Sim (2FF) Type: Industrial/M2M recommended



### 3G/UMTS mobile network communication

Supported bands:	<ul style="list-style-type: none"><li>UMTS/HSPA+ (3G) Bands: 1, 8</li><li>GSM/GPRS/Edge (2G) Dual-band</li></ul>
Max. data rate:	230 kbps on the data channel

# KeContact P30

SIM card:	Size: Mini-Sim (2FF) Type: Industrial/M2M recommended
-----------	--



## RFID card

Type:	MIFARE card / tag according to ISO 14443 or ISO 15693
-------	---



## Key-operated switch

Type:	Profile half cylinder according to EN 1303 or DIN 18252
Length:	30 mm



## WLAN / Wifi

Type:	IEEE 802.11 b,g,n, 2.4 GHz
Supported modes:	AP Ad-hoc-Mode, Client Mode

## Zertifizierungen\*



MID



ME

Z.E.  
Ready

E.V.  
Ready

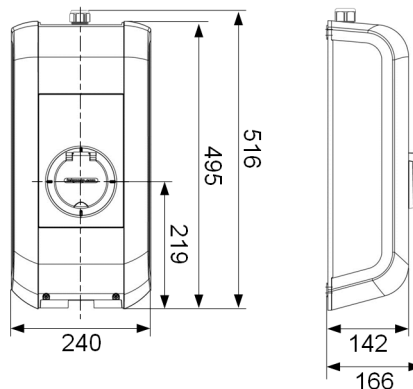
CE Declaration of Conformity:	Yes
MID:	Optional
• Accuracy class:	Class B (according to EN 50470-1 / -3)
National regulations:	Optional: National authorization
Z.E. Ready:	Optional
E.V. Ready:	Optional

\* Information about the certifications can be downloaded from the KEBA website:  
[www.keba.com/emobility-downloads](http://www.keba.com/emobility-downloads)

## Dimensions and weight

### Version with standard socket (Type 2)

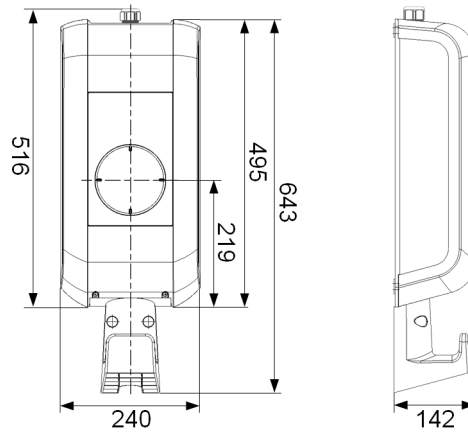
Height / Width / Depth:	516 mm / 240 mm / 166 mm
Weight:	Approx. 4.8 - 5 kg (depending on device version)



### Version with charging cable and holder

Height / Width / Depth:	643 mm / 240 mm / 142 mm
Weight:	Approx. 5.3 - 7.8 kg (depending on device version)

## KeContact P30



### Note

This data sheet lists various design options for the charging station. The actual design of the charging station depends on the variant.