

SH5.0/6.0RS

Residential Hybrid Single Phase Inverter



FLEXIBLE APPLICATION

- 80~460 V wide battery voltage range
- Ideal for both retrofitting and new installations
- Built-in smart PID recovery function



ENERGY INDEPENDENCE

- Seamless transition to backup mode, for protection against power outages
- Fast Charging or discharging, enabling higher self-consumption results
- Built-in EMS with advanced customization



USER FRIENDLY SETUP

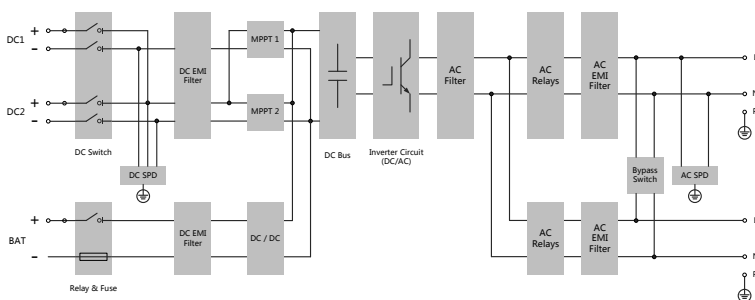
- Plug and play installation *
- iSolarCloud monitoring available on App and Web
- Lightweight and compact, optimized for heat-dissipation



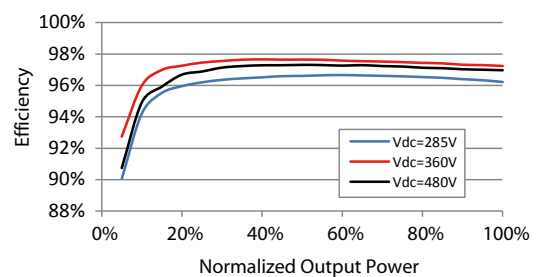
SMART MANAGEMENT

- Real time data (10 seconds refresh sample)
- 24 / 7 live monitoring both online and with integrated display
- Online IV curve scan and diagnosis

CIRCUIT DIAGRAM



EFFICIENCY CURVE (SH6.0RS)



Type designation	SH5.0RS	SH6.0RS
Input (DC)		
Recommended max. PV input power	12000 Wp	13000 Wp
Max. PV input voltage		600 V
Min. operating PV voltage / Start-up input voltage		40 V / 50 V
Rated PV input voltage		360 V
MPP voltage range		40V – 560 V
No. of independent MPP inputs		2
No. of PV strings per MPPT		1/1
Max. PV input current		32 A (16 A / 16 A)
Max. DC short-circuit current		40 A (20 A / 20 A)
Max. current for input connector		20A
Battery Data		
Battery type		Li-ion battery
Battery voltage		80V - 460V
Max charge / discharge current		30A / 30A
Max charge / discharge power		6600W
Input / Output (AC)		
Max. AC power from grid	12000 VA	13000 VA
Rated AC output power	4999 W	6000 W
Max. AC output apparent power	4999 VA	6000 VA
Rated AC output apparent power	4999 VA	6000 VA
Rated AC output current (at 230V)	21.7 A	26.1 A
Max. AC output current	22.7 A	27.3 A
Rated AC voltage		230 V
AC voltage range		154 V – 276 V
Rated grid frequency		50 Hz / 60 Hz
Grid frequency range		45 – 55 Hz / 55 – 65 Hz
Harmonic (THD)		<3 % (of rated power)
Power factor at rated power / Adjustable power factor		>0.99 at default value at rated power
Feed-in phases / connection phases		1 / 1
Backup Data (on-grid mode)		
Rated output power for backup load		6000 W
Rated output current for backup load		27.3 A
Backup Data (off-grid mode)		
Rated voltage		230V (±2 %)
Rated grid frequency		50 Hz / 60 Hz (±0.2 %)
Output voltage harmonic (THD)		< 2 %
Switch time to emergency mode		< 10 ms
Rated output power	5000 W / 5000 VA	6000 W / 6000 VA
Peak output power		8400 VA, 10 s
Efficiency		
Max. efficiency / European efficiency		97.7 % / 97.3 %
Protection & Function		
Grid monitoring		Yes
DC reverse polarity protection		Yes
AC short circuit protection		Yes
Leakage current protection		Yes
DC switch(solar)		Yes
DC fuse(battery)		Yes
Surge Protection		DC Type II / AC Type II
PID recovery function		Yes
Parallel operation on grid port / Max. No of inverters		Master-slave mode / 3
Battery input reverse polarity protection		Yes
General Data		
Topology (Solar / Battery)		Transformerless / Transformerless
Degree of protection		IP65
Dimensions (W * H * D)		490 * 340 * 170 mm
Weight		18.5 kg
Mounting method		Wall-mounting bracket
Operating ambient temperature range		-25 °C to 60 °C
Allowable relative humidity range(Non-condensing)		0 % – 100 %
Cooling method		Natural convection
Max. operating altitude		4000 m
Noise (typical)		< 45dB(A)
Display		LED digital display & LED indicator
Communication		RS485 / Ethernet / WLAN / CAN
DI / DO		DI * 4 / DO * 1 / DRM
DC connection type		MC4 (PV) / Sunclix (Battery)
AC connection type		Plug and Play **
Grid compliance	IEC/EN 62109-1, IEC/EN 62109-2, IEC/EN 61000-3-11, IEC/EN 61000-3-12, EN 62477-1, AS/NZS 4777.2:2020, EN 50549-1, CEI 0-21, G98 / G99	
Country of manufacture	China	

* Country code needs to be set before grid connection

** AC Connector brand is Phoenix Contact and compatible brand

